

Wireless module - RAD-ISM-900-SET-BD-BUS-ANT - 2867270

Please be informed that the data shown in this PDF Document is generated from our Online Catalog. Please find the complete data in the user's documentation. Our General Terms of Use for Downloads are valid (<http://phoenixcontact.com/download>)




Bidirectional, wireless, 900 MHz transmission system (America), made up of 2 transceivers (transmitter and receiver) and two antennas with connecting cable

Your advantages

- ✓ Two omnidirectional antennas (optional)
- ✓ Additional transceivers can be added to configure repeater systems
- ✓ No additional parameterization or programming required
- ✓ Two pre-programmed transceivers that automatically communicate with each other
- ✓ Individual transceivers are listed under Class I, Division 2
- ✓ Operates in the license-free 902 - 928 MHz ISM band
- ✓ The integrated bus foot enables connection to additional I/O modules
- ✓ Frequency hopping spread spectrum
- ✓ Each transceiver has 1 analog input (4 ... 20 mA) and 2 digital inputs (5 ... 30 V AC/DC), as well as 1 analog output and 2 digital outputs, for direct connection to compatible sensors and actuators and for data transmission in both directions
- ✓ Status of the wireless connection via a relay (RF link)



Key Commercial Data

Packing unit	1 pc
GTIN	 4 017918 929602
GTIN	4017918929602
Weight per Piece (excluding packing)	659.000 g
Custom tariff number	85176200
Country of origin	Canada

Wireless module - RAD-ISM-900-SET-BD-BUS-ANT - 2867270

Technical data

Dimensions

Width	22.5 mm
Height	99 mm
Depth	114.5 mm

Ambient conditions

Ambient temperature (operation)	-40 °C ... 70 °C
Ambient temperature (storage/transport)	-40 °C ... 85 °C
Degree of protection	IP20

Wireless set

Set contents	2 transceivers, 2 aerials
--------------	---------------------------

General

Mounting position	any
Assembly instructions	on standard DIN rail NS 35 in accordance with EN 60715
Housing material	Polyamide PA non-reinforced

Connection data

Conductor cross section solid min.	0.2 mm ²
Conductor cross section solid max.	4 mm ²
Conductor cross section flexible min.	0.2 mm ²
Conductor cross section flexible max.	2.5 mm ²
Conductor cross section AWG min.	24
Conductor cross section AWG max.	14
Connection method	Screw connection
Stripping length	8 mm
Screw thread	M3

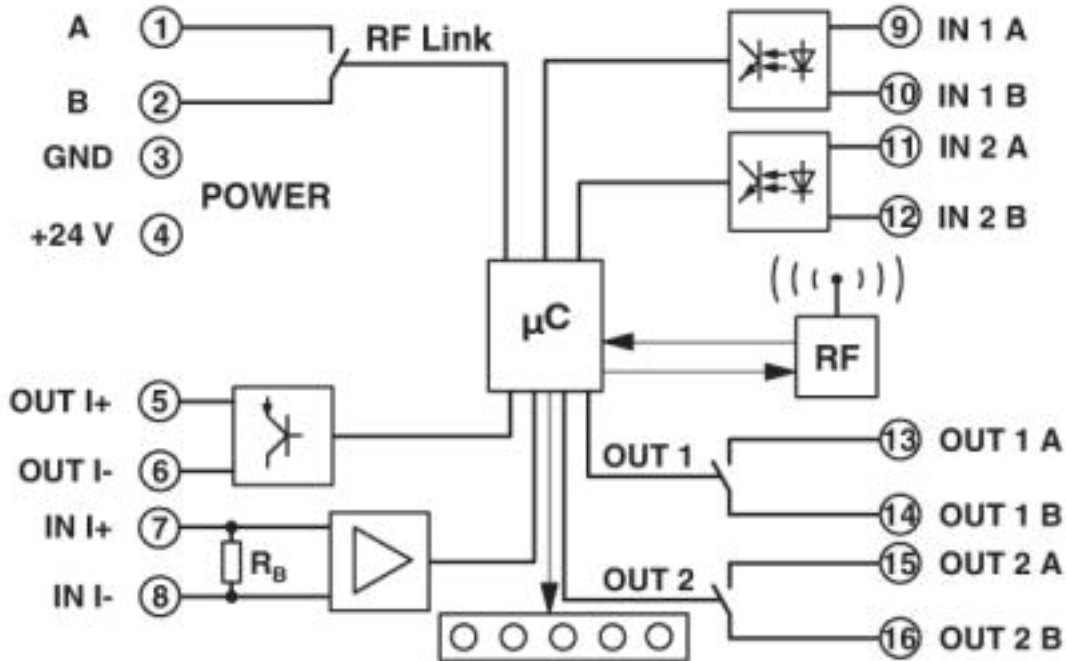
Standards and Regulations

Electromagnetic compatibility	FCC Part 15.247 / ISC RSS 210
Conformance	FCC Directive, Part 15.247
	ISC Directive RSS 210
UL, USA/Canada	Class I, Div. 2, Groups A, B, C, D

Drawings

Wireless module - RAD-ISM-900-SET-BD-BUS-ANT - 2867270

Block diagram



Classifications

eCl@ss

eCl@ss 4.0	27250312
eCl@ss 4.1	27250312
eCl@ss 5.0	27242208
eCl@ss 5.1	27242208
eCl@ss 6.0	27242208
eCl@ss 7.0	27242208

ETIM

ETIM 2.0	EC000310
ETIM 3.0	EC000310
ETIM 4.0	EC000310
ETIM 5.0	EC000310

UNSPSC

UNSPSC 6.01	30211506
UNSPSC 7.0901	43223108
UNSPSC 11	39121008

Wireless module - RAD-ISM-900-SET-BD-BUS-ANT - 2867270

Classifications

UNSPSC

UNSPSC 12.01	43223108
UNSPSC 13.2	43223108

Accessories

Accessories

Adapter cable

Antenna cable - RAD-CON-MCX-N-SB - 2867717



Antenna cable, outside diameter: 2.5 mm (0.1 in.), inner conductor: stranded, attenuation: 0.9 dB at 900 MHz, connection: MCX (male) -> N (female), cable length: 1.2 m (4 ft.)

Antenna cable - RAD-CON-SMA-N-SS - 2867403



Antenna cable, outside diameter: 2.5 mm (0.1 in.), inner conductor: stranded, attenuation: 0.9 dB at 900 MHz, connection: SMA (male) -> N (male), cable length: 1.2 m (4 ft.)

Antenna cable - RAD-CON-MCX-MCX-SS - 2867607



Antenna cable, outside diameter: 2.8 mm (0.11 in.), inner conductor: stranded, attenuation: 0.9 dB at 900 MHz, connection: MCX (male) -> MCX (male), cable length: 0.3 m (1 ft.)

Antenna cable - RAD-CON-MCX90-N-SS - 2885207



Antenna cable, outside diameter: 2.5 mm (0.1 in.), inner conductor: stranded, attenuation: 0.9 dB at 900 MHz, connection: 90° MCX (male) -> N (male), cable length: 1.2 m (4 ft.)

Antenna

Wireless module - RAD-ISM-900-SET-BD-BUS-ANT - 2867270

Accessories

Antenna - RAD-ISM-900-ANT-OMNI-5 - 2867199



Omnidirectional antenna, 900 MHz, gain: 7 dBi, polarization: linear, opening angle: h/v 360°/30°, degree of protection: IP65, connection: N (female), incl. mounting bracket and mast clips

Antenna - RAD-ISM-900-ANT-OMNI-FG-3-N - 2867791



Omnidirectional antenna, 900 MHz, gain: 5 dBi, polarization: linear, opening angle: h/v 360°/28°, degree of protection: IP65, connection: N (female), incl. mounting bracket and mast clips

Antenna - RAD-ISM-900-ANT-YAGI-3-N - 2867801



Directional antenna, 868 MHz / 900 MHz, gain: 5 dBi, polarization: linear, opening angle: h/v 168°/78°, degree of protection: IP65, connection: N (female), incl. mounting bracket and mast clips

Antenna - RAD-ISM-900-ANT-YAGI-6.5-N - 2867814



Directional antenna, 868 MHz / 900 MHz, gain: 8.5 dBi, polarization: linear, opening angle: h/v 100°/62°, degree of protection: IP65, connection: N (female), incl. mounting bracket and mast clips

Antenna - RAD-ISM-900-ANT-YAGI-6.5-25-AS - 2867827



Panel antenna with surge protection, adapter cable MCX->N and assembly material, IP65 protection, gain 8.5 dBi, cable length 7.6 m, connection N (female)

Wireless module - RAD-ISM-900-SET-BD-BUS-ANT - 2867270

Accessories

Antenna - RAD-ISM-900-ANT-YAGI-6.5-50-AS - 2867830



Panel antenna with surge protection, adapter cable MCX->N and assembly material, IP65 protection, gain 8.5 dBi, cable length 15.2 m, connection N (female)

Antenna - RAD-ISM-900-ANT-OMNI-0-6 - 2867160



Omnidirectional antenna, 900 MHz, gain: 2 dBi, polarization: linear, opening angle: h 360°, degree of protection: IP65, connection: MCX (male), incl. 2 m / 6.5 ft. connecting cable and mounting bracket for wall mounting

Antenna - RAD-ISM-900-ANT-OMNI-FG-6-N - 2885579



Omnidirectional antenna, 900 MHz, gain: 8 dBi, polarization: linear, opening angle: h/v 360°/15°, degree of protection: IP65, connection: N (female), incl. mounting bracket and mast clips

Coaxial adapter

Antenna splitter - RAD-ISM-900-ANT-4 - 2867050



4-way distributor for antenna signals (antenna splitter), MCX connection (female)

Coaxial cable

Antenna cable - RAD-CAB-RG58-10 - 2867364



Antenna extension cable, length: 10 ft

Wireless module - RAD-ISM-900-SET-BD-BUS-ANT - 2867270

Accessories

Antenna cable - RAD-CAB-RG58-20 - 2867212



Antenna extension cable, length: 20 ft

Antenna cable - RAD-CAB-RG213-25 - 2867597



Antenna extension cable, length: 25 ft

Antenna cable - RAD-CAB-RG213-40 - 2867377



Antenna cable, outside diameter: 10 mm (0.4 in.), inner conductor: solid, attenuation: 2.9 dB at 900 MHz, connection: 2 x N (male), cable length: 12 m (40 ft.)

Antenna cable - RAD-CAB-RG213-50 - 2867225



Antenna cable, outside diameter: 10 mm (0.4 in.), inner conductor: solid, attenuation: 3.5 dB at 900 MHz, connection: 2 x N (male), cable length: 15 m (50 ft.)

Antenna cable - RAD-CAB-PFP400-60 - 2867380



Antenna cable, outside diameter: 10 mm (0.4 in.), inner conductor: solid, attenuation: 2.5 / 4.2 / 6.3 dB at 0.9 / 2.4 / 5.8 GHz, connection: 2x N (male), cable length: 18 m (60 ft.)

Wireless module - RAD-ISM-900-SET-BD-BUS-ANT - 2867270

Accessories

Antenna cable - RAD-CAB-PFP400-80 - 2867393



Antenna cable, outside diameter: 10 mm (0.4 in.), inner conductor: solid, attenuation: 3.3 / 5.6 / 8.4 dB at 0.9 / 2.4 / 5.8 GHz, connection: 2x N (male), cable length: 24 m (80 ft.)

Antenna cable - RAD-CAB-PFP400-100 - 2867238



Antenna cable, outside diameter: 10 mm (0.4 in.), inner conductor: solid, attenuation: 4.1 / 6.9 / 10.4 dB at 0.9 / 2.4 / 5.8 GHz, connection: 2x N (male), cable length: 30 m (100 ft.)

Antenna cable - RAD-CAB-LMR600-125 - 2885210



Antenna extension cable, length: 125 ft

Antenna cable - RAD-CAB-PFP600-150 - 2885184



Antenna cable, outside diameter: 15 mm (0.6 in.), inner conductor: solid, attenuation: 3.9 / 6.8 / 10.4 dB at 0.9 / 2.4 / 5.8 GHz, connection: 2x N (male), cable length: 45 m (150 ft.)

Antenna cable - RAD-CAB-PFP900-200 - 2885197



Antenna extension cable, length: 200 ft

Extension module

Wireless module - RAD-ISM-900-SET-BD-BUS-ANT - 2867270

Accessories

Extension module - RAD-IN-4A-I - 2867115



Analog extension module with 4 analog current inputs 4 mA ... 20 mA

Extension module - RAD-OUT-4A-I - 2867128



Analog extension module with 4 analog current outputs 4 mA ... 20mA

Extension module - RAD-IN-8D - 2867144



Digital extension module with 8 digital inputs

Extension module - RAD-OUT-8D-REL - 2867157



Digital extension module with 8 digital outputs

Extension module - RAD-IN+OUT-2D-1A-I - 2867322



Analog /digital module for 2 digital inputs/outputs and 1 analog input/output

Wireless module - RAD-ISM-900-SET-BD-BUS-ANT - 2867270

Accessories

Extension module - RAD-IN-2D-CNT - 2885223



Digital extension module with 2 digital inputs for measuring pulses and frequencies

Extension module - RAD-OUT-2D-CNT - 2885236



Digital extension module with 2 digital outputs for output of pulses and frequencies
